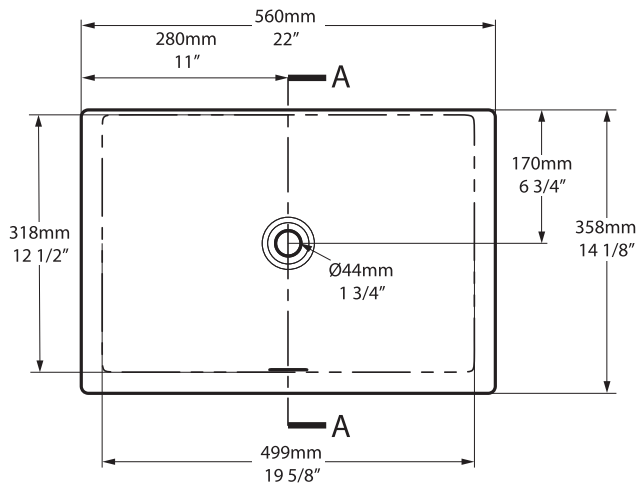
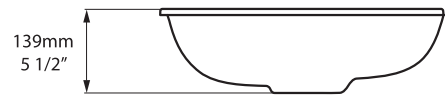


# Kaldera 56 UB-KAL-56-IO

Top view



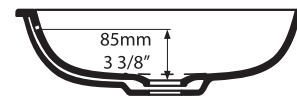
Side view



Front view



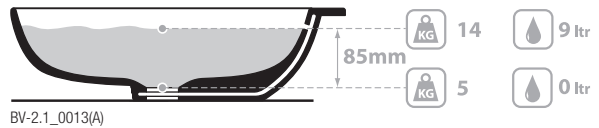
Section AA



Features an internal overflow  
 Integrierter Überlauf  
 Dispose d'un trop-plein interne  
 Incluye el rebosadero integrado  
 Caratterizzato da un troppopieno interno



**Qc** rich in Volcanic Limestone™



BV-2.1\_0013(A)

Recommended wastes: K-25-xx

\*All measurements subject to +/-5% tolerance

**25**  
years

Guaranteed for residential use for 25 years\*  
 25 Jahre Garantie bei privater Nutzung  
 25 ans de garantie pour un usage domestique  
 Garantía de 25 años para uso domestico  
 La sicurezza garantita per uso residenziale per 25 anni

UPC  
 C Massachusetts Code: Pending  
 cUPC listing by IAPMO: File No. 6970



**8**  
years

Guaranteed for commercial use for 8 years\*  
 8 Jahre Garantie bei gewerblicher Nutzung  
 8 ans de garantie pour un usage commercial  
 Garantía de 8 años para uso comercial  
 La sicurezza garantita per uso commerciale per 8 anni