

## DECORATIVE FRAME

(9.240.643 - Stainless Steel)

(9.240.645 - Chrome)

**TECE**  
close to you

Suitable for use with:  
All TECE Cisterns  
TECEloop Glass Push Plates  
TECESquare Glass Push Plates

Sheeting Requirements (Prior to tiling):  
25mm non flex board

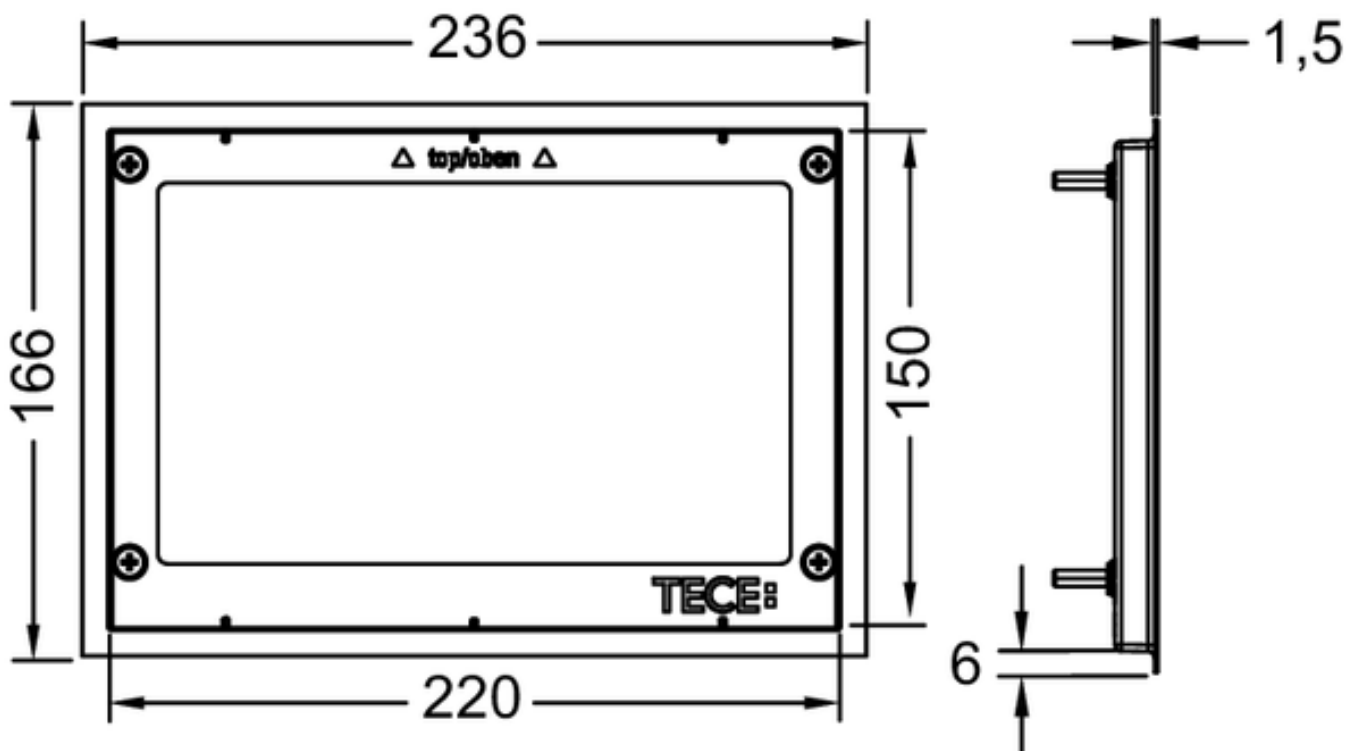
### Note:

Decorative Frame requires  
TECE Flush Mount Kit which is sold separately

White - 9.240.646

Black - 9.240.647

Chrome - 9.240.649



Proudly imported and distributed by

Gro Agencies Pty Ltd

Unit 2 / 37 Howe St, Osborne Park, WA, 6017

P 08 9446 3288 E [info@groagencies.com.au](mailto:info@groagencies.com.au) W [www.groagencies.com.au](http://www.groagencies.com.au)

**gro**  
agencies